

HE60 SURGE ARRESTERS

For DC Railway Applications

Main features

The HE60 surge arrester is used for the protection of DC rail networks against switching and atmospheric overvoltages.

The surge arrester which has a polymeric housing and a void free construction can be used in various types of rail applications.

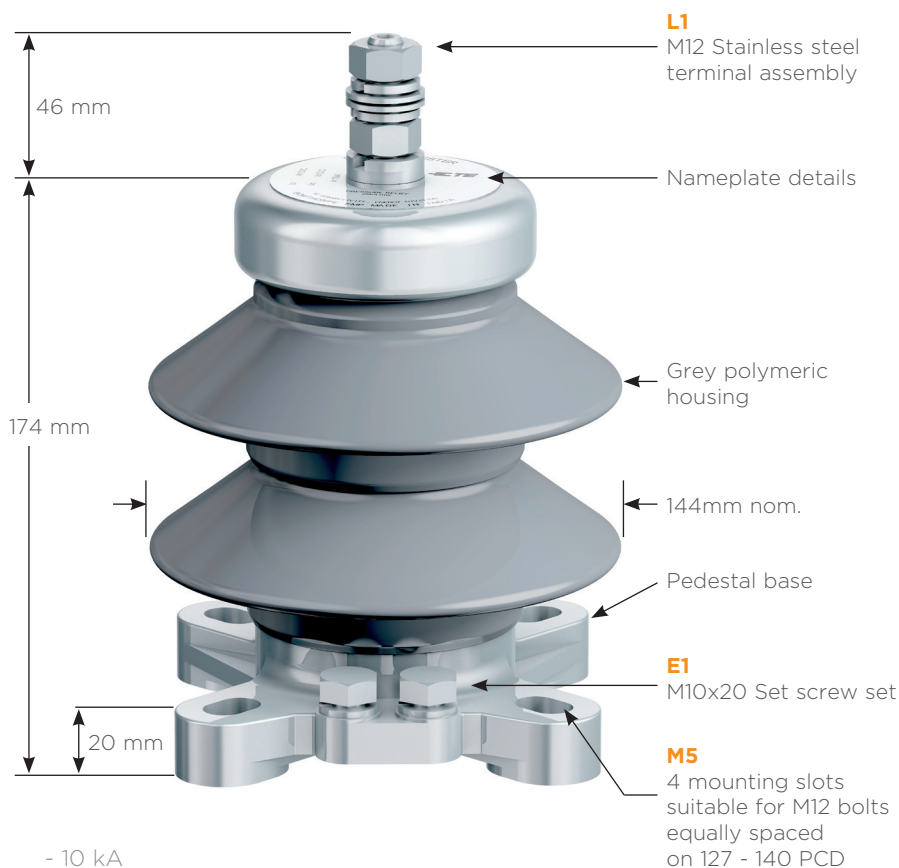
Qualification testing:

- Tested to EN50123-5 standard
- Insulation withstand tests on the arrester housing
- Insulation withstand tests on the arrester housing
- Residual voltage test
- Long duration current impulse withstand test
- Operating duty tests
- Short-circuit tests
- Internal partial discharge test
- Tightness Test
- Power frequency voltage versus time characteristics on the arrester

Electrical performance

Nominal discharge current 8/20 μ s
 Voltage rating
 High current operating duty 4/10 μ s
 High current single impulse energy
 Long Duration Current 2 ms

- 10 kA
- 1.3 kV to 5.2 kV Ur
- 100 kA
- 2.3 kJ/kV at Ur
- 1000 A



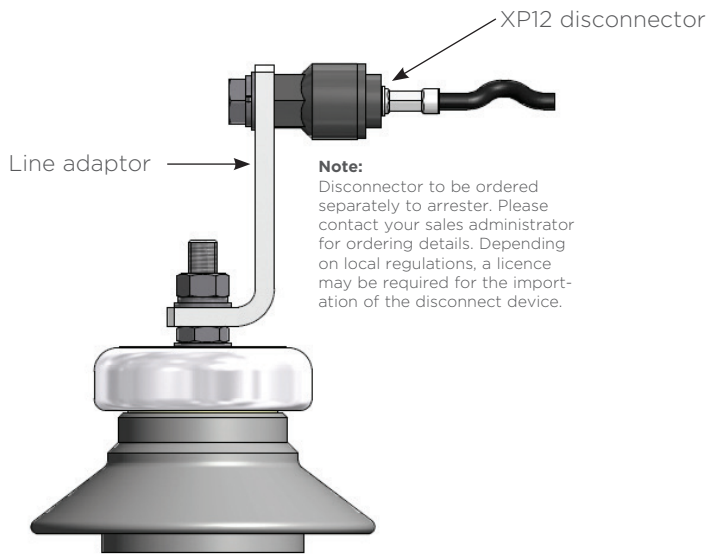
STANDARD ELECTRICAL DATA

HE60MDxx	U rated kV(r.m.s)	U continuous kV(r.m.s)	U residual in kV when tested to the following impulse waveforms							
			Lightning Impulse Current (8/20 μ s)					Steep Impulse (1/20 μ s)	Switching Impulse (30/60 μ s)	
			0.5 kA	1 kA	5 kA	10 kA	20 kA		20 kA	125 A
HE60MD08	1.0	0.8	2.0	2.1	2.6	3.0	3.3	4.0	1.9	2.1
HE60MD10	1.3	1.0	4.1	4.3	5.3	6.1	6.8	8.3	3.8	4.3
HE60MD20	2.6	2.0	6.2	6.5	8.0	9.2	10.2	12.4	5.7	6.4
HE60MD30	3.9	3.0	8.3	8.6	10.6	12.2	13.6	16.5	7.5	8.6
HE60MD40	5.2	4.0	10.3	10.8	13.3	15.3	17.0	20.6	9.4	10.7

HOUSING PARAMETERS

Product code	Creepage length (mm)	Flashover distance (mm)	Overall height (mm)	Cantilever long term load (SLL) Nm	Approx weight (kg)	Drawing reference
HE60MD08	246	125	174	225	3.4	BOW-3-013
HE60MD10	246	125	174	225	3.4	BOW-3-013
HE60MD20	246	125	174	225	3.4	BOW-3-013
HE60MD30	246	125	174	225	3.4	BOW-3-013
HE60MD40	246	125	174	225	3.4	BOW-3-013

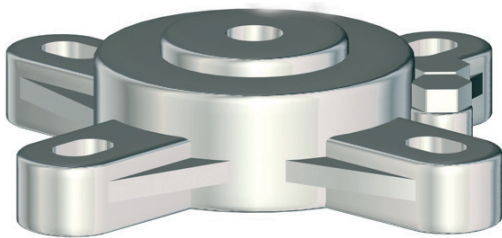
Standard termination options



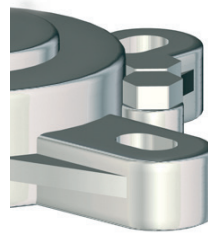
L5 Line adaptor (typically used with the XP12 disconnect)



L1 M12 Stainless steel terminal assembly

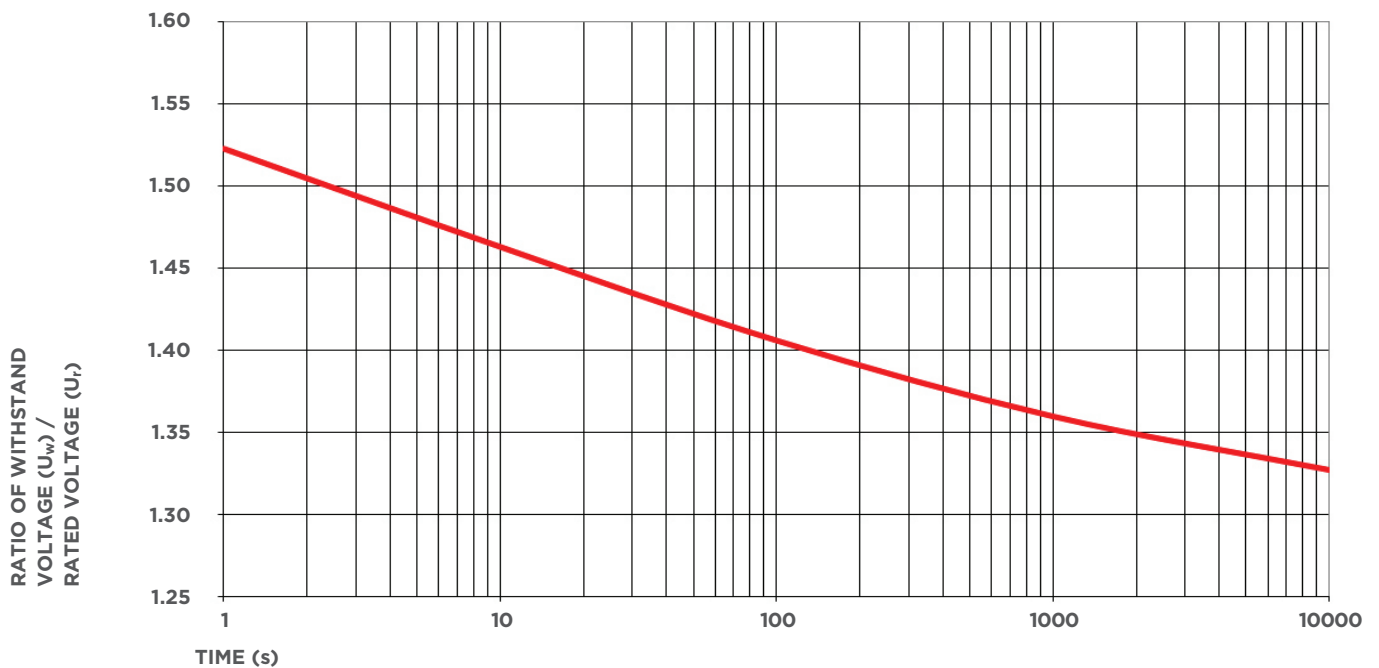


M5 Mounting base
Pedestal Base with 4 slots to suit M12 bolts equally spaced on 127 - 140 PCD



E1 M10x20 Set screw set

Power frequency voltage versus time with prior energy



TE Connectivity (NYSE: TEL) is a \$12 billion global technology leader. Our connectivity and sensor solutions are essential in today's increasingly connected world. We collaborate with engineers to transform their concepts into creations – redefining what's possible using intelligent, efficient and high-performing TE products and solutions proven in harsh environments. Our 72,000 people, including over 7,000 engineers, partner with customers in close to 150 countries across a wide range of industries. We believe EVERY CONNECTION COUNTS – www.TE.com.

- Mining
- Nuclear power plants
- OEMs
- Overhead distribution
- Petrochemical plants
- Railways
- Street lighting
- Substations
- Transmission lines
- Underground distribution
- Windfarms
- Solar
- Hydro-electric

WHEREVER ELECTRICITY FLOWS, YOU'LL FIND TE ENERGY



te.com/energy

FOR MORE INFORMATION:

TE Technical Support Centers

France:	+ 33 380 583 200	Italy:	+ 39 333 2500 915
Germany:	+ 49 896 089 903	Poland and Baltics:	+ 48 224 576 753
UK:	+ 44 8 708 707 500	Czech Republic:	+ 42 0 272 011 105
Spain:	+ 34 916 630 400	Sweden and Norway:	+ 46 850 725 000
Benelux:	+ 32 16 351 731	Middle East:	+ 971 4 2 117 000
Denmark:	+ 45 43 480 424	USA:	+ 1 800 327 6996

te.com/energy

© 2016 TE Connectivity Ltd. family of companies. All Rights Reserved. EPP-2018-4/16

Raychem, TE Connectivity and the TE connectivity (logo) are trademarks of the TE Connectivity Ltd. family of companies. Other logos, product and Company names mentioned herein may be trademarks of their respective owners. While TE has made every reasonable effort to ensure the accuracy of the information in this brochure, TE does not guarantee that it is error-free, nor does TE make any other representation, warranty or guarantee that the information is accurate, correct, reliable or current. TE reserves the right to make any adjustments to the information contained herein at any time without notice. TE expressly disclaims all implied warranties regarding the information contained herein, including, but not limited to, any implied warranties of merchantability or fitness for a particular purpose. The dimensions in this brochure are for reference purposes only and are subject to change without notice. Specifications are subject to change without notice. Consult TE for the latest dimensions and design specifications.